

## 全新定义 品质新高度

一流的企业是标准的制定者，站在全球的视野，  
我们时刻都在以超前的理念定义品质的新高度。

### 佛山市安业医疗器械科技有限公司

Foshan ANYE Medical Apparatus Technology CO., LTD

地址:广东省佛山市南海区狮山镇穆院管理处“大氾岗”

Address: Da Dang Gang Management Office Muyuan Shishan Town, Nanhai District, Foshan City, Guang Dong Of China.

外贸/Export department: +(86)757-8100 6901

国内/domestic: +(86)757-8100 6902

售后/After sale: +(86)757-8100 6904

传真/Fax: +(86)757-8100 6922

邮箱/Export department mail: sales1@anyeyl.cn sales2@anyeyl.cn sales3@anyeyl.cn

中国安业医疗官方网站

Websites: www.anyeyl.com

http://anye-company.en.made-in-china.cpm



**Lotus NL B.V**  
Koningin Julianaplein 10,1eVerb,  
2595AA, The Hague, Netherlands

本图册印刷于2023年2月  
版权由佛山市安业医疗器械科技有限公司所有

图片仅供参考，以实物为准  
All products subject to the practicality, the pictures just for reference  
本公司保留不予事先通知而进行产品改良之权利  
Our company reserves the right to make any improvement on product design without advance notice

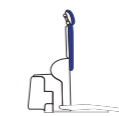


**Lotus NL B.V**  
Koningin Julianaplein 10,1eVerb,  
2595AA, The Hague, Netherlands

# ANYE®

安业医疗

| 全 | 新 | 定 | 义 | 品 | 质 | 新 | 高 | 度 |



牙科综合康复治疗机  
DENTAL REHABILITATION CHAIR



**SPIRIT 安业精神**  
问道创新, 追求卓越  
恪奉品质, 匠人精神

**GOAL 安业目标**  
自主研发最具  
商业价值产品

**VISION 安业愿景**  
安业, 致力于发展百年企业,  
做您终身信赖的贴身管家

**MISSION 安业宗旨**  
企业与社会和谐发展企业与客户  
和谐共赢企业与员工和谐进步

**关于安业**  
ABOUT ANYE

佛山市安业医疗器械科技有限公司是一家通过CE和ISO13485认证的牙椅原厂制造生产厂家, 服务全球目前有60多个国家的牙医, 工厂占地面积10000多平方米, 集研发生产和销售一体化。

安业以“全新定义牙椅品质新高度”为目标, 从原材料切入, 并且引进大量先进的数字化、自动化设备加工 (例如: 德国KUKA机械手、大族激光机、自动加工中心、全自动持重送料机、360度机械手自动电焊机等), 是目前国内唯一一家以自动化理念, 专业打造牙科综合治疗机的原装生产厂家, 我们研发生产最稳定质量的产品和最合适的价格, 让经销商在市场上拥有竞争优势, 让牙医们用的也安心, 专业的技术, 专一的生产, 专注的服务, 将始终是安业对您真诚及永久的承诺。

欢迎全球客户莅临参观! 佛山安业期待您的合作!

Foshan ANYE Medical Equipment Technology Co., Ltd is specialized in manufacturing and sales of high-end dental unit. Our group is established in 1998, it has passed ISO13485 and CE. The factory covers an area of more than 10,000 square meters.

To keep improving in production technology and product quality is ANYE's goal. ANYE completes everything from raw materials to finished dental units independently. There is a large number of advanced digital and automated equipment processing (E.g: German KUKA manipulator, Han's laser machine, automatic processing center, automatic load-bearing feeder, 360-degree manipulator automatic electric welding machine, etc.), ANYE is the only manufacturer of dental unit in the world that specializes in automation. The most stable quality products and the most suitable prices help dealers win the competitive edge which enables ANYE to have great sales in more than 70 countries.

ANYE is striving to build an exceptional brand recognized by the home and abroad dental industry. Professional technology, dedicated production service will always be ANYE's sincere and permanent commitment.

Sincerely hope to establish friendly business contacts and cooperative relations with friends in the global dental community.

**COMPANY CERTIFICATE**



**企业证书**

攀登知识的巅峰提高自我修养



ORIGINAL MANUFACTURER

原装生产厂家

GERMAN  
KUKA ROBOTIC ARM

德国 KUKA 机械手



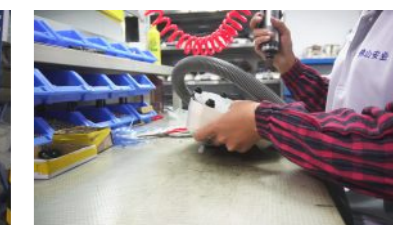
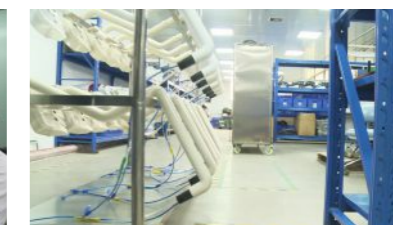
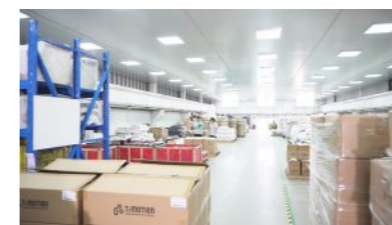
整套加工程序全机器人完成。旋转焊接、360度焊接等工艺，引领行业变革。安业创建全球领先的椅架安装'数据模拟化生产系统'工作站。一套互联互通，尺寸精度误差在0.08毫米内的德国KUKA智能机械臂软件应用组成。利用实时数据，高效完成全球客户的定制需求。

The whole set of processing program is completed by robot. Rotary welding, 360-degree welding and other processes lead the industry to change. Surveon has created the world's leading workstation for chair frame installation 'data simulation production system'. A set of interconnected, dimensional accuracy error within 0.08 mm of German KUKA intelligent robotic arm software applications. Use real-time data to efficiently complete global customer customization need.

PROCESSING EQUIPMENT

加工设备

|全|新|定|义|品|质|新|高|度|



- DENTAL
- REHABILITATION
- CHAIR

# 牙科综合 康复治疗机

多方面解决部分人群看牙难题

## 独特设计理念

CONCEPT OF  
comfortable design

安业对部分人群的重视是我们研发的指针。安业针对部分人群的行动不便性而研发设计并将方便性、舒适性、安全性、易用性放在首位，全面解决看牙难题。

The emphasis on special people is a guide for our R&D. Put convenience, comfort, safety and ease of use in the first place to solve the problem of teeth cure



# 全国首创

## 牙科综合康复治疗机



全新升降平台  
New lifting platform



静音直流进口电机  
Silent imported DC motor



舒适头枕  
Comfortable headrest



LED口腔灯  
LED dental light



红外线急停开关  
Infrared emergency stop switch



简易操作  
Easy operation

# 牙科综合 康复治疗机

多方面解决部分人群看牙难题

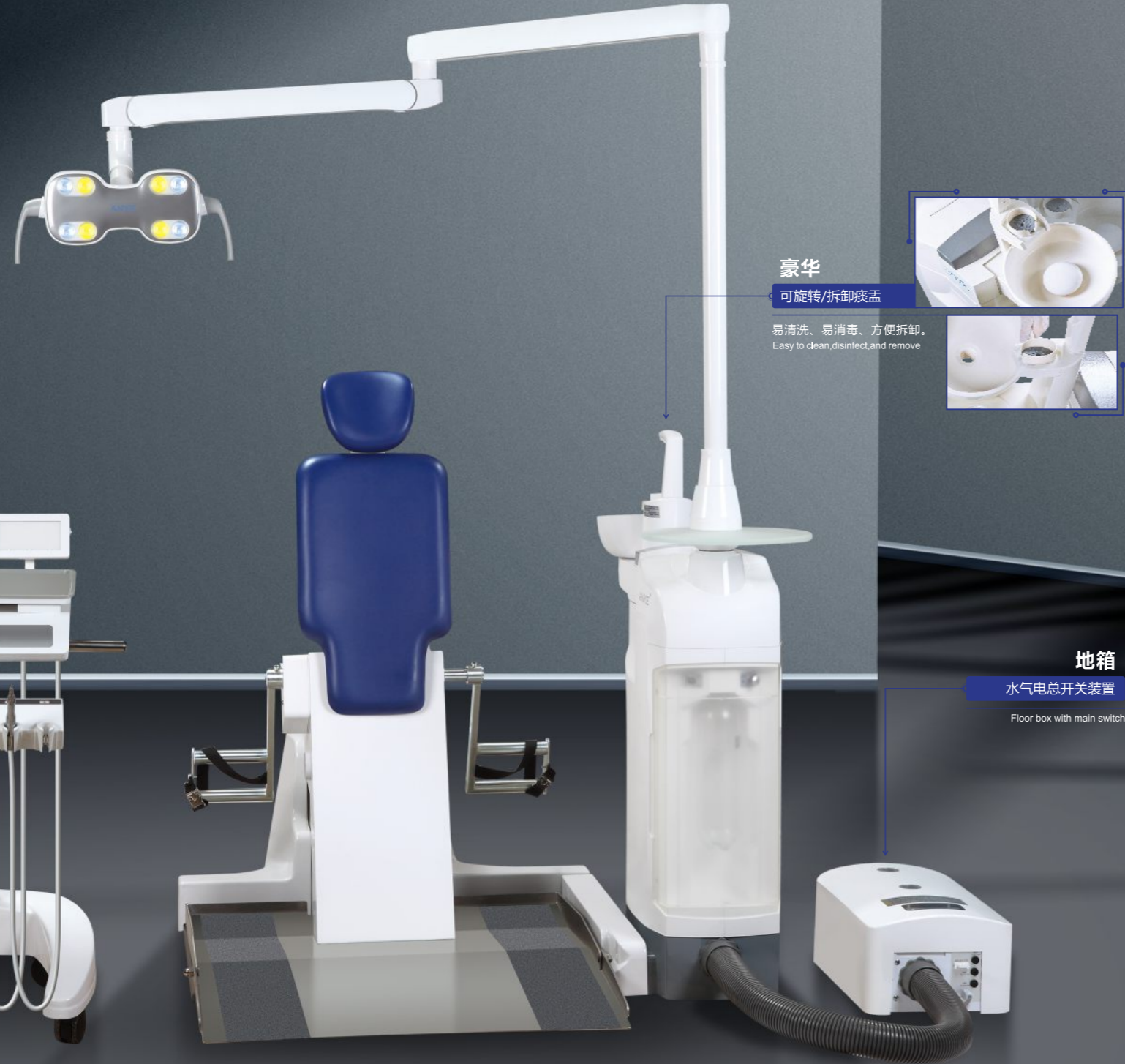
**SET** 一键可设置冲痰/供水/记忆位  
One button can set flushing, water supply, memory bit

一键可调节常用记忆椅位  
One button can adjust common memories setting

一键可调至最佳吐痰位  
One button can adjust to the best position for spitting

**9个记忆**  
电动牙科椅控制系统

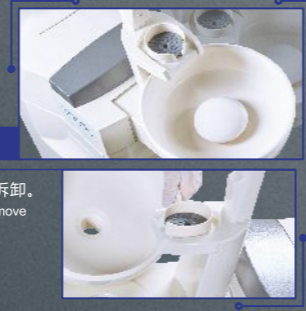
9 memories control system



豪华

可旋转/拆卸痰盂

易清洗、易消毒、方便拆卸。  
Easy to clean, disinfect, and remove



地箱

水电气总开关装置

Floor box with main switch

# Unique Design

对品质的追求永不妥协  
New definition, new height of quality

弧形头枕

可调节弧形防护头枕



弧形头枕，比传统头枕更舒适，能更好的固定头部，防止就诊时头部晃动。

Curved headrest

Adjusted Curved protective headrest  
More comfortable than traditional headrest. Better fix the head and prevent shaking

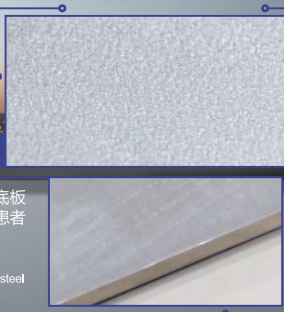


坚实 Solid

不锈钢底板

轨道磨砂防滑处理，支撑底板采用4mm不锈钢板，确保患者上下安全。

Stainless steel base plate  
Frosted anti-slip track, 4MM stainless steel bottom plate to ensure patient safety



轮椅固定装置

按压式插拔接头，方便操作，安全稳固。

Wheelchair fixture

Push-type plug connector, easy operation and safety



Through the wheelchair 穿过轮椅



Insert the buckle 插入卡扣



Fixed position 固定位置



8孔LED口腔灯  
8 Eyes LED operating light



可调节弧形防护头枕  
Adjusted Curved protective headrest



置物托盘  
Plate for storage



隐藏储水瓶  
Hidden water bottle



副控: 助手工具盘  
Auxiliary control: assistant tool tray



固定架可旋转调节, 适合常用轮椅尺寸  
Fixing frame rotatable adjustment for common wheelchair sizes



智能 红外线感应  
Intelligent Infrared sensing



轮椅固定装置  
Wheelchair fixture



医用管 (进口)  
Imported tube



多功能脚踏控制开关 (带脚踏自锁功能)  
Multifunctional foot control(with self-locking function)



24V静音直流进口电机 (带补偿位)  
24V noiseless DC motor (synchronized)



电磁阀 (进口)  
Imported electromagnetism valve



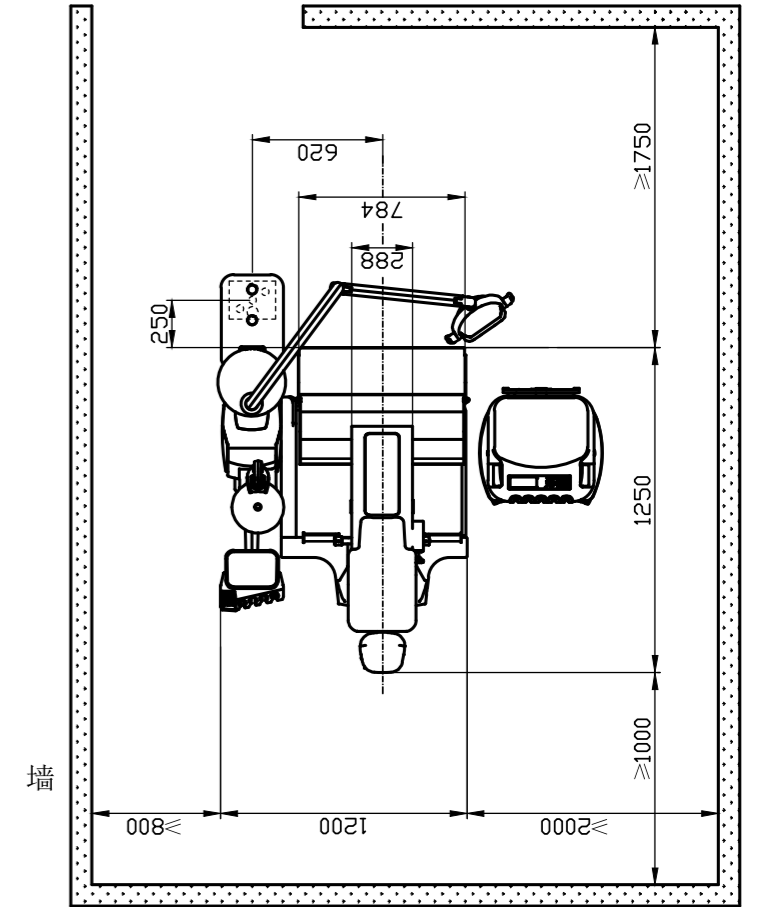
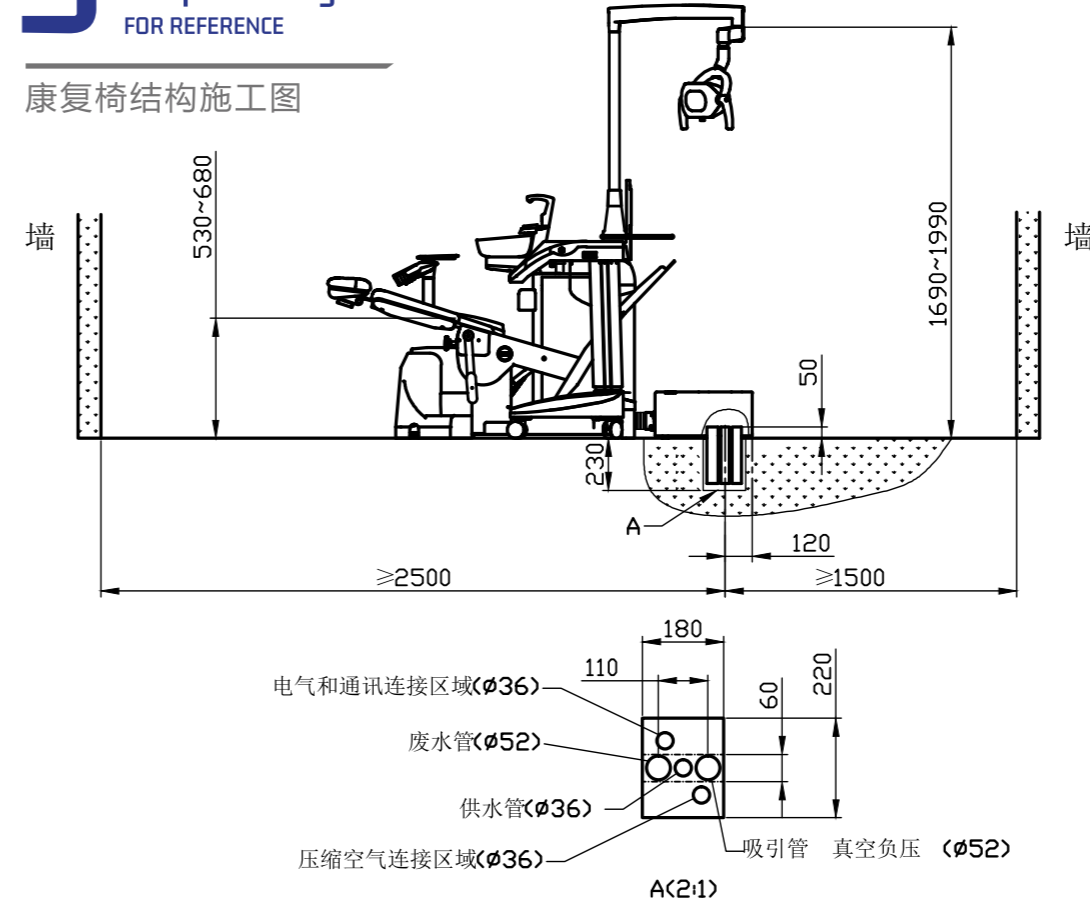
减压阀 (进口)  
Imported reducing valve



豪华医生坐椅C  
Dentist stool C

## Shop Drawing FOR REFERENCE

### 康复椅结构施工图



## 保养与维护

- 使用的水源要干净清洁, 以免造成牙椅内部管路及阀门堵塞。
- 空压机要经常排水, 时间久了不排水会造成空压机排出的气中有大量的水分, 导致牙椅气路老化或堵塞。(一月排一次为宜)
- 电机长期工作后要润滑保养, 可用黄油涂抹伸缩处。(半年一次为宜)
- 尽量避免病人身上的锋利物品划破椅面。
- 不要在电源不稳定的情况下使用牙椅, 以免损坏牙椅内部电子部件。
- 夏天天气炎热时可拨开热水器开关; 冬天零下低温时, 应排出热水器里剩下的储水, 避免冻裂热水器。
- 每天工作完后切记一定要关闭电源和水气开关。

## MAINT ENANCE

- In order to avoid blocking of the internal tubing and valve for dental unit, you should use the clear water.
- You should pay attention to draining sewage. there is moisture in the air, according to the local air humidity ,you should drain dirty water once about one month (when large loadwork ,should be half month).
- Dental chair is still the integration stage between machine and motor ,so you should lubricate the motor when use it about half year.
- Trying your best to avoid lacerating the cushion by the key or other edge tool of patient .
- Do not use the dental chair in the event of power supply instability, so as not to damage the electronic parts inside of the dental chair.
- In summer,could unplug the water heater in the box (could consult the local distributor); when it is low temperature below zero in winter ,while it is out of work ,please blow inside water to be dry ,otherwise the water heater may freeze to damage under the very low temperature during the nigh.
- For the dental unit ,after a day of work , must be cut off electricity,broken water,broken gas and sanitized.